

**Impact Selector's Guide Roller Bogie®** tools enable slickline and E-line operations to be performed more quickly and easily. Operators can perform the work using the same equipment without changing wireline operating procedures resulting in time savings with less risk. This is the most efficient conveyance system available for deviated intervention work when used in conjunction with E-line, Slickline and Perforating Roller Bogie® tools.

Used in most wellbore conditions, up to 87° deviation, Guide Roller Bogie® tools are installed on the bottom end of the tool string.

With independent swivel, the self-orienting roller body ensures the rollers are oriented at all times to the low side of the tubing. The tool string is lifted onto large, highly efficient rollers, eliminating contact friction and enabling easier and deeper wellbore access. Running weight remains positive and steady; pick-up weight is greatly reduced and the risk of wire breakage is lowered.

Guide Roller Bogie® tools are available in a wide range of sizes to pass through all wellbore restrictions and can be ordered with a choice of connection types to suit individual tool string requirements.

### Features:

- Self-orienting design
- Low friction dual rollers
- Streamlined profile
- Robust and durable tool design
- Low maintenance requirements
- Available for all tubing sizes

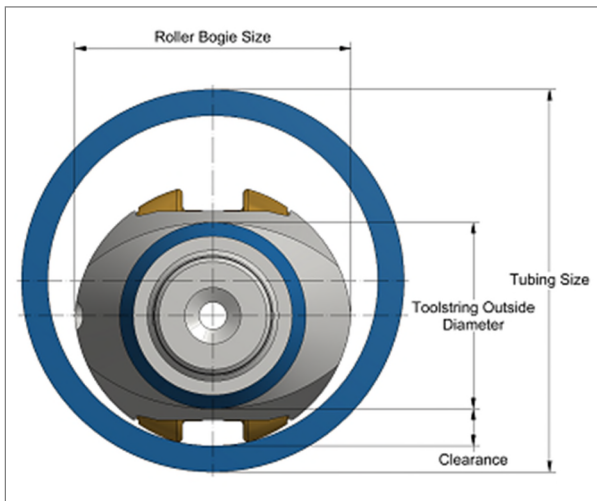
### Benefits:

- Reach extended depths and higher deviations without the need for costly services such as coiled tubing or wireline tractors.
- Lower pick up weight means reduced wire loading.
- More effective and visible jarring at greater depth or higher deviation due to efficient transfer of mass.
- Maintain completion integrity by protecting coated and high-chrome tubulars.
- Improve data quality by eliminating “slip-stick” and achieving more constant logging speeds.





# Guide Roller Bogie®



Specifications*						
Roller Bogie® Size (inches)	Weight (lb)	Length (inches)	Tubing Nominal Size (inches)	Max Tool String OD Conveyed (inches)	Svc Type	Conn Type
*1.800	11	23	2.375	1.625	Standard, Sour or Severe Sour Service available	Connections available to suit customer specifications
*1.900	9	20	2.375	1.688		
1.950	9	16	2.375	1.688		
2.125	9	18	2.875	1.750		
2.275	10	18	2.875	1.938		
2.400	12	20	3.500	2.000		
2.500	13	20	3.500	2.125		
2.600	13	19	3.500	2.250		
2.770	18	22	3.500	2.375		
3.000	19	20	4.500	2.500		
3.275	33	22	4.500	2.875		
3.350	35	22	4.500	3.000		
3.600	35	22	4.500	3.125		
3.700	39	22	4.500	3.250		
3.850	40	23	4.500	3.500		
4.100	46	23	5.000	3.625		
4.900	49	26	7.000	4.375		
5.500	65	25	7.000	5.000		
5.800	75	27	7.000	5.000		

\*Not available with E-Line connections

For more information please contact  
Customer Service at 1-800-238-9239 24 hours a day / 7 days a week  
or visit us at [www.impactselector.com](http://www.impactselector.com)

