



Easier. Faster. Safer. It's time to rethink gas lift intervention

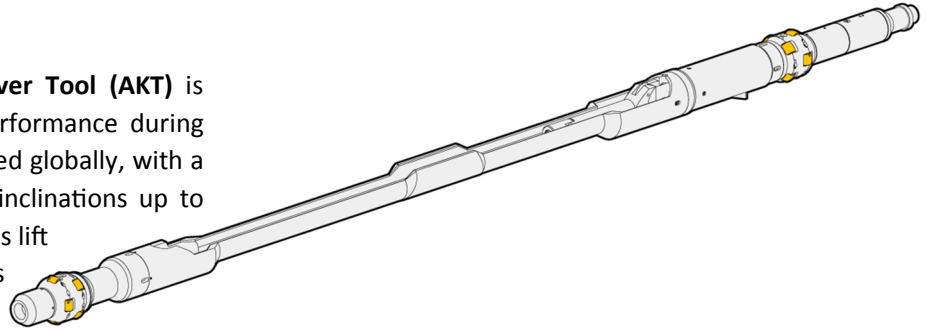
Impact Selector's Advanced Kickover Tool (AKT) is designed to deliver exceptional performance during gas lift interventions. The AKT is used globally, with a proven track record of success at inclinations up to 83° and can be supplied to suit all gas lift mandrel sizes. The AKT incorporates many unique features, including highly efficient rollers which eliminate contact friction, enabling access to gas lift mandrels located at higher deviations.

A further benefit of reduced friction is a more precise indication at surface of tool string load transfer. This allows the slickline operator to identify tool string movement more easily, enabling improved decision making and reducing the chance of a mis-run.

The majority of the industry remains cautious when designing gas lift completions, tending to place gas lift mandrels in areas of the well that are considered accessible using standard slickline techniques. However, this approach can lead to suboptimal production rates. The AKT specifically addresses these challenges, enabling gas lift mandrels to be positioned at greater true vertical depth therefore optimizing production opportunity.

To enable access and maximize operational efficiency within mandrels located at higher deviations, Impact Selector's Roller Bogie® conveyance system and Low Loader Roller Bogie® Jar are typically used in combination with the AKT.

AKT awareness sessions can be provided upon request, which are aligned with the industry's need to focus on competency and service quality levels within gas lift intervention operations.



Features:

- Low friction roller assemblies
- Low torque swivels
- Integral valve catcher
- Radially balanced
- Easily maintained
- Available for all mandrel sizes and tubing restrictions

Benefits:

- Reduce operating time and cost by increasing the chance of first time success, regardless of mandrel deviation or pocket orientation.
- Assist the operator by improving tool string visibility at surface, reducing the possibility of a costly mis-run.
- Reduce the risk to asset by eliminating a minimum of two runs, due to the inclusion of an integral valve catcher.





Advanced Kickover Tool (AKT)



Specifications						
AKT Nominal Size (inches)	AKT MAX OD (inches)	*Weight (lbs)	*Length (inches)	Valve Size (inches)	Service Type	Connection Type
2.375	1.820	48	112	1	Sour or Severe Sour Service available Composite rollers available for running in GRE. or High Chrome Tubing	Connections available to suit customer specifications
2.375	1.850	48	112	1		
2.875	2.160	48	112	1		
2.875	2.250	48	112	1		
3.500	2.720	58	111	1 & 1.5		
4.500	3.500	108	123	1.5		
4.500	3.700	108	123	1.5		
5.500	4.350	156	117	1.5		
5.500	4.500	156	117	1.5		
7.000	5.180	183	117	1.5		
7.000	5.750	183	117	1.5		

*Tool weights and lengths are average values per AKT size.

For more information please contact
Customer Service at 1-800-238-9239 24 hours a day / 7 days a week
Email: impact@impactselector.com

